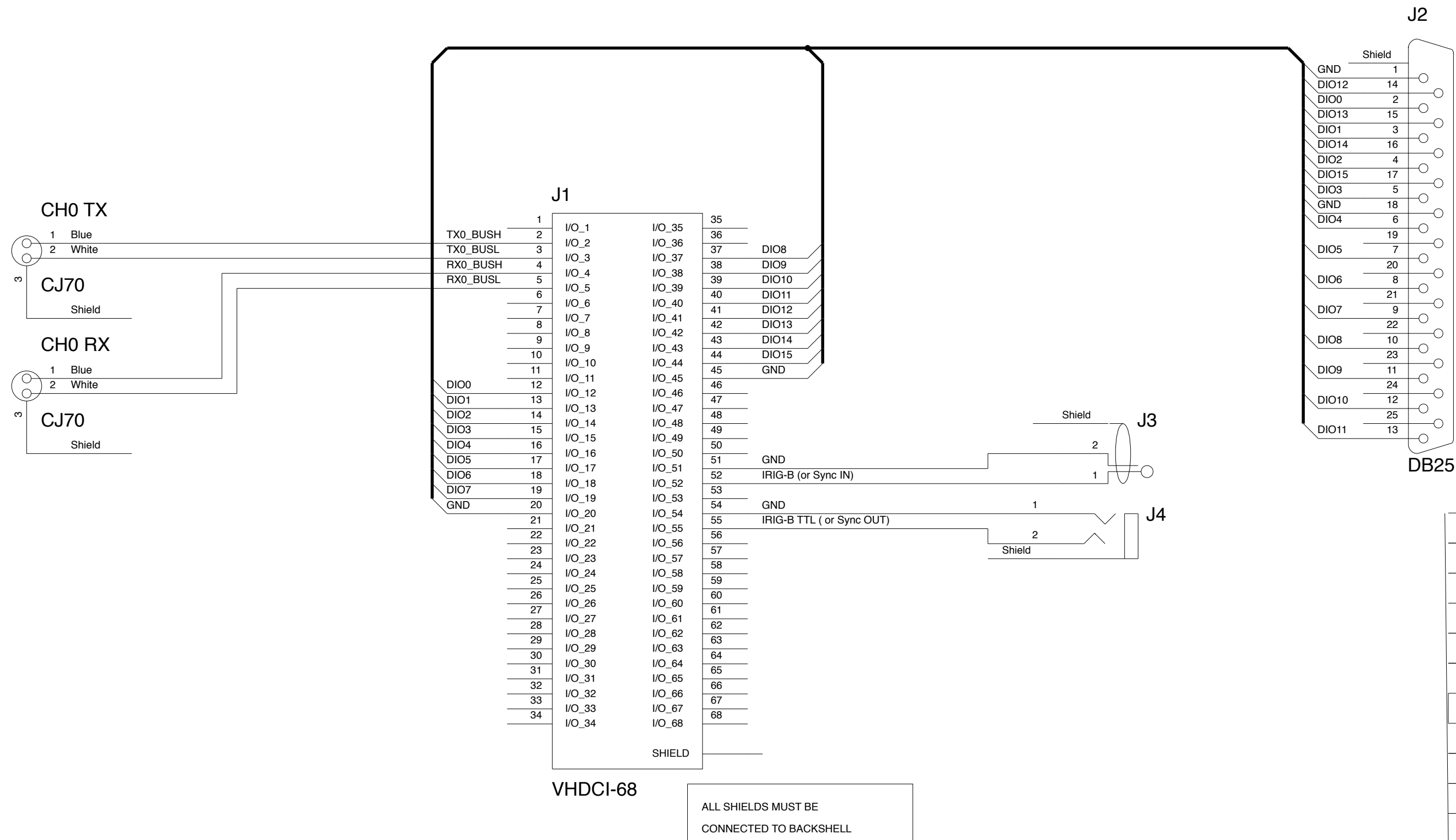
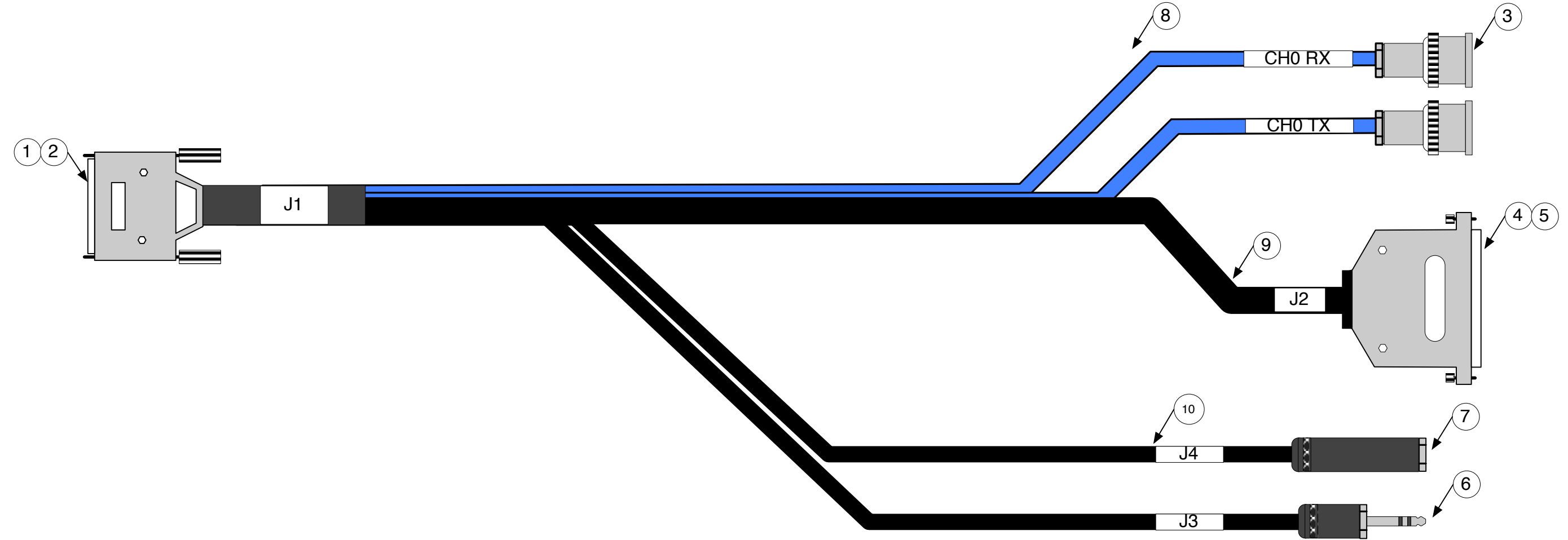


MAX-AC-40313

Single interface IPM-708 cable for PXI/PCI-400-2 card including two 1.5m (60") cables with CJ70 tri-axial connector, two 30cm (12") TRS connectors for IRIG-B AM and IRIG-B TTL (or SYNC IN and SYNC OUT) and one 1.5m (60") cable with DB-25 female connector for I/O triggers.



| Revision | Changes history |
|----------|--|
| 2.2 | Twinax cable length is now 150 cm (60") instead of 30 cm (12") |
| 2.1 | Official release |

REVISION 2.2

| # | Qty | Description |
|----|-----------|---|
| 1 | 1 | Connector VHDCI 68 pins 0.8mm |
| 2 | 1 | VHDCI Cover |
| 3 | 2 | MIL-STD-1553 cable plug |
| 4 | 1 | Connector D-SUB-25 Female |
| 5 | 1 | Backshell with Thumb Screws #4-40 |
| 6 | 1 | 3.5mm plug 3-pole, Gold plated contacts |
| 7 | 1 | 3.5mm jack 3-pole, Gold plated contacts |
| 8 | 2x 150 cm | MIL-STD-1553 twinax cable with shield |
| 9 | 150 cm | DB-25 cable with shield |
| 10 | 2x 30 cm | Multiconductor cable with shield |