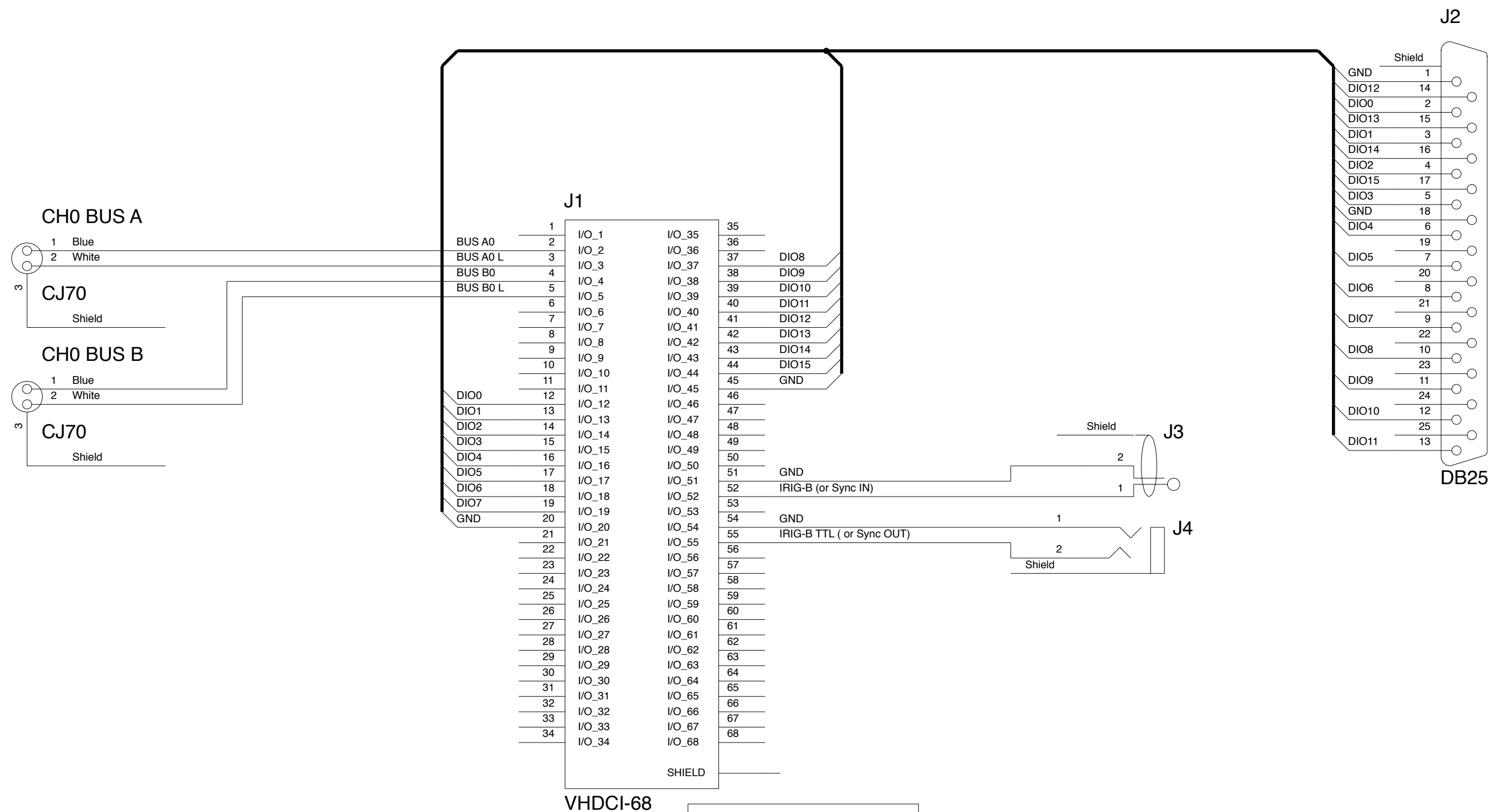
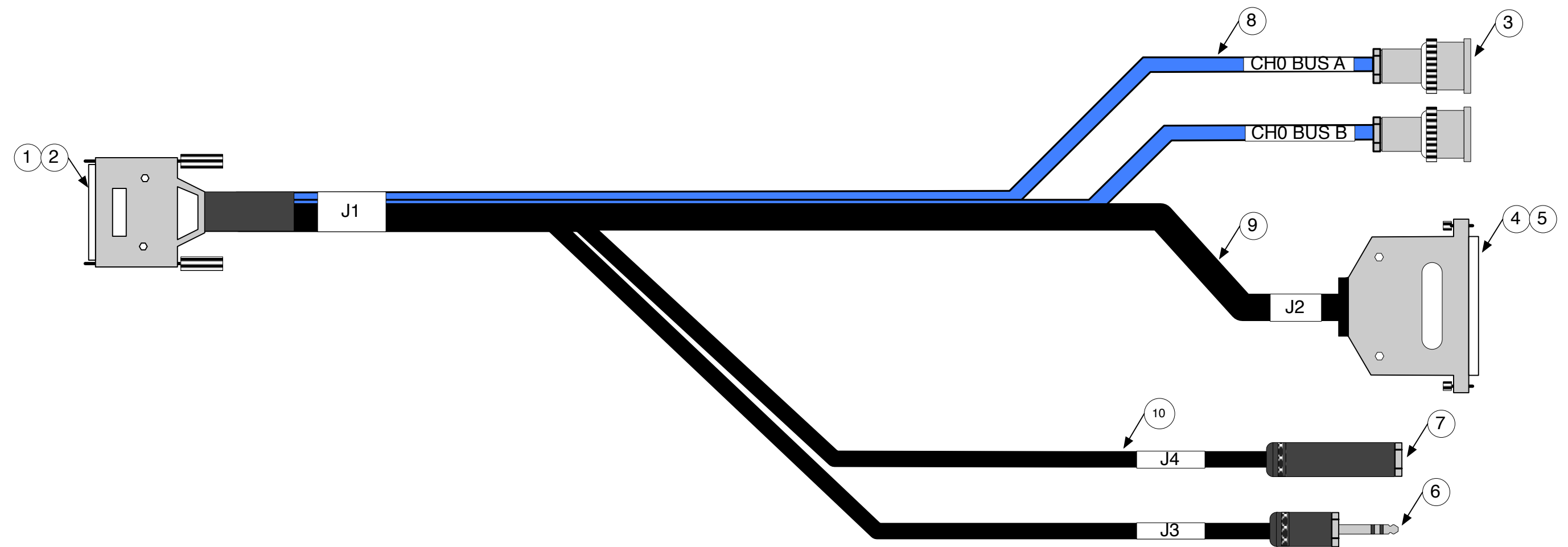


MAX-AC-40307

Single interface IPM-1553-MRT cable for PXI/PCI-400-2 card including two 1.5m (60") cables with CJ70 tri-axial connector, two 30cm (12") TRS connectors for IRIG-B AM and IRIG-B TTL (or SYNC IN and SYNC OUT) and one 1.5m (60") cable with DB-25 female connector for I/O triggers.



ALL SHIELDS MUST BE CONNECTED TO BACKSHELL

Revision	Changes history
2.2	Twinax cable length is now 150 cm (60") instead of 30 cm (12")
2.1	Official release

REVISION 2.2

#	Qty	Description
1	1	Connector VHDCI 68 pins 0.8mm
2	1	VHDCI Cover
3	2	MIL-STD-1553 cable plug
4	1	Connector D-SUB-25 Female
5	1	Backshell with Thumb Screws #4-40
6	1	3.5mm plug 3-pole, Gold plated contacts
7	1	3.5mm jack 3-pole, Gold plated contacts
8	2x 150 cm	MIL-STD-1553 twinax cable with shield
9	150 cm	DB-25 cable with shield
10	2x 30 cm	Multiconductor cable with shield