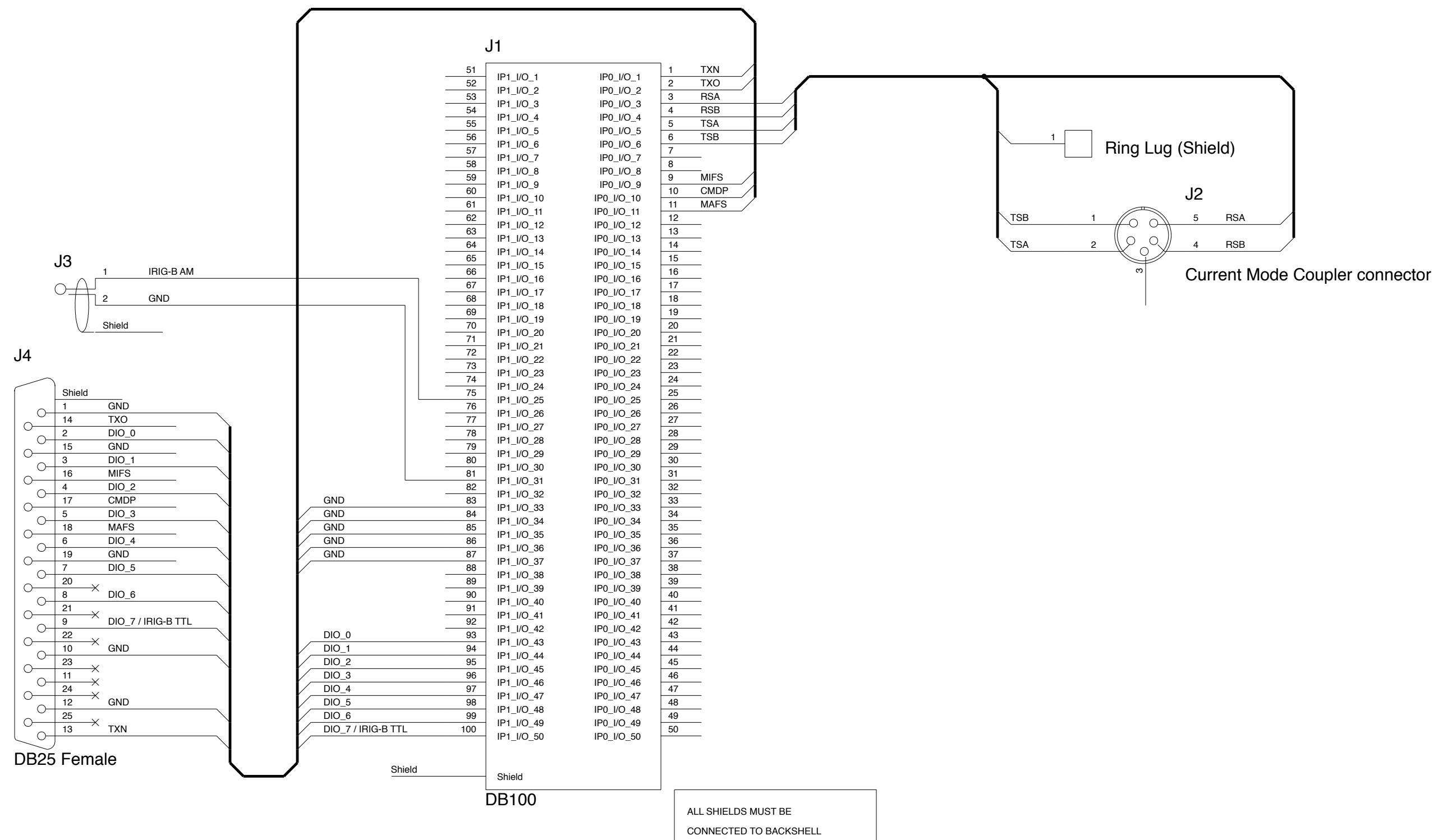
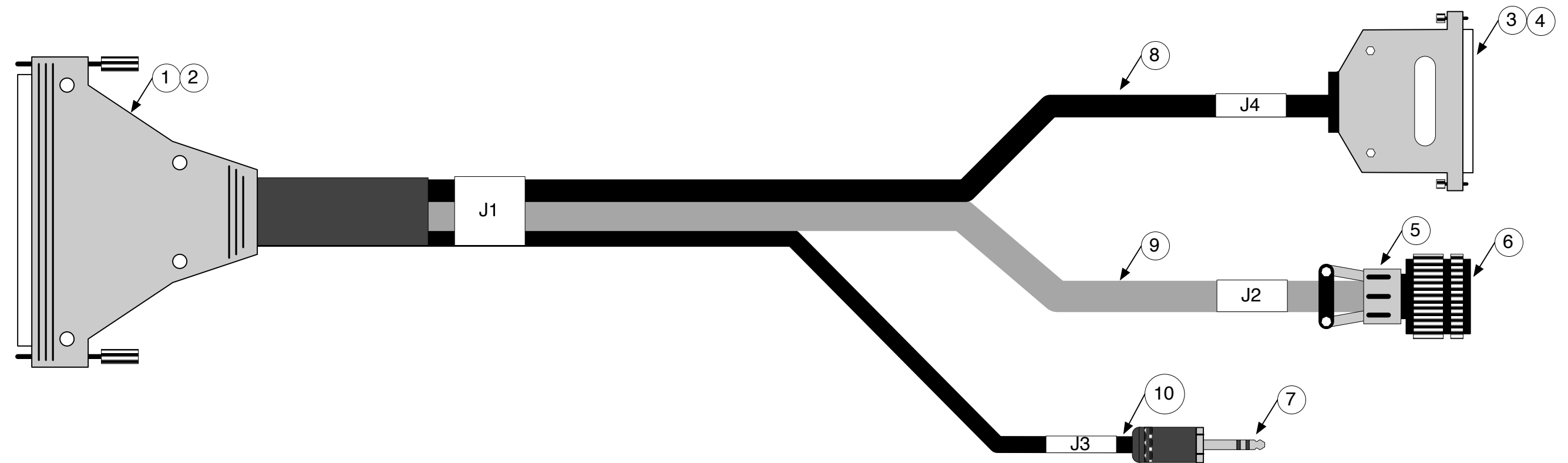


MAX-AC-40129

IPM-629-MRT interface for cPCI-400 including 1.5m (60") twisted pair shielded interface cable with ARINC-629 CMC connector, one 30cm (12") TRS connector for IRIG-B AM and 1.5m (60") cable with DB-25 female connector for I/O triggers.



REV 2.2

#	Qty	Description
1	1	Connector 100 pins 0.050 series
2	1	Backshell with thumb screws #2-56
3	1	Connector D-SUB-25 female
4	1	Backshell with thumb screws #4-40
5	1	Military cable support assembly (For CMC)
6	1	Military plug 5 conductors (For CMC)
7	1	3.5mm plug 3-pole, Gold plated contacts
8	150 cm	DB-25 cable with shield
9	150 cm	Multiconductor cable 100 Ohm with shield
10	30 cm	Multiconductor cable with shield