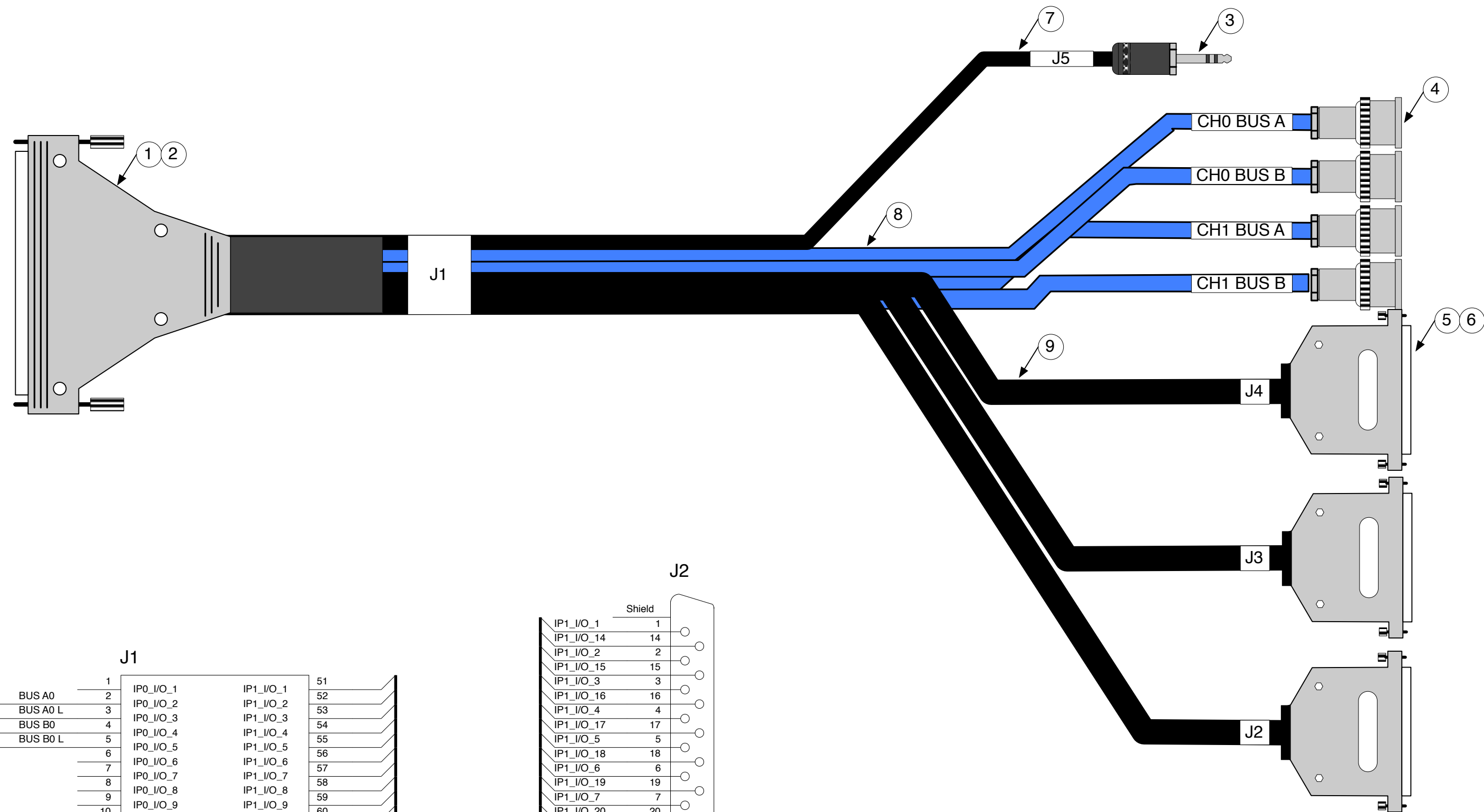


MAX-AC-40109

Dual interface IPM-1553-MRT cable for PCI/cPCI-400 card including four 1.5m (60") cables with CJ70 tri-axial connector, one 30cm (12") TRS connector for IRIG-B AM and three 1.5m (60") cables with DB-25 female connector for IP#1(#3) and I/O triggers.



CH0 BUS A

- 1 Blue
- 2 White

CJ70
Shield

CH0 BUS B

- 1 Blue
- 2 White

CJ70
Shield

CH1 BUS A

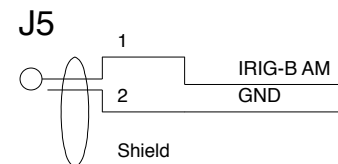
- 1 Blue
- 2 White

CJ70
Shield

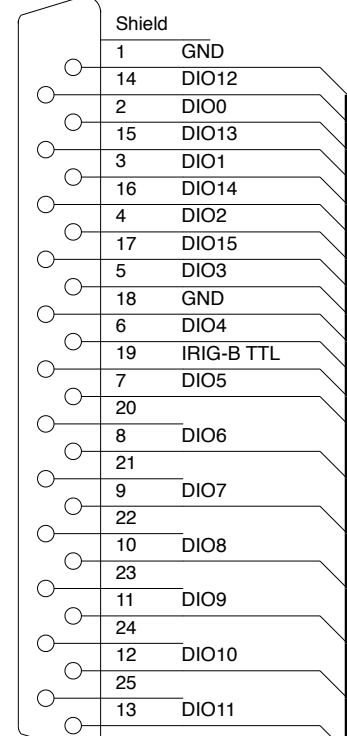
CH1 BUS B

- 1 Blue
- 2 White

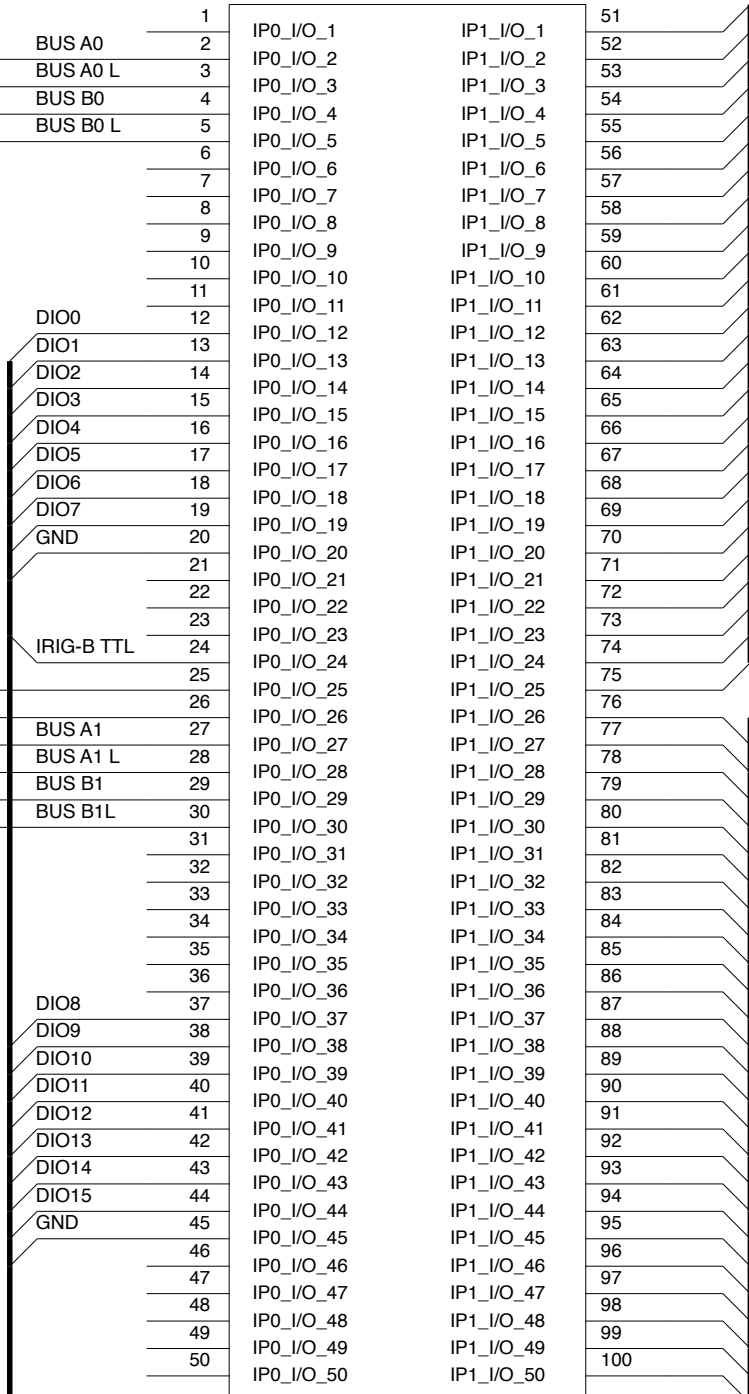
CJ70
Shield



J4

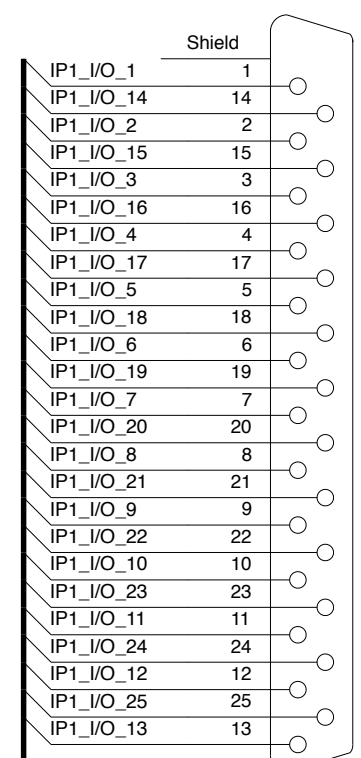


J1

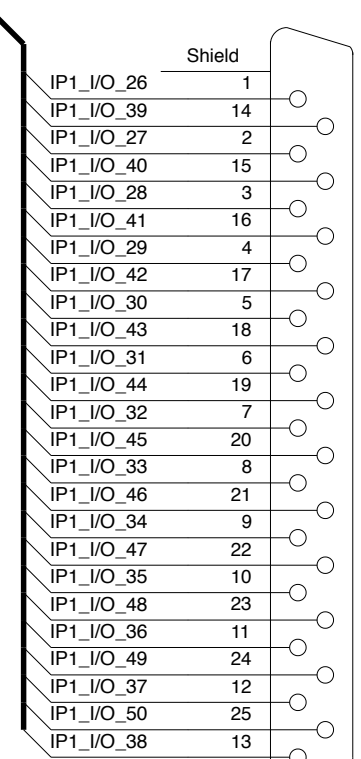


ALL SHIELDS MUST BE CONNECTED TO BACKSHELL

J2



J3



Revision	Changes history
2.3	Twinax cable length is now 150 cm (60") instead of 30 cm (12")
2.2	Official release

REVISION 2.3

#	Qty	Description
1	1	Connector 100 pins 0.050 series
2	1	Backshell with thumb screws #2-56
3	1	3.5mm plug 3-pole, Gold plated contacts
4	4	MIL-STD-1553 cable plug
5	3	Connector D-SUB-25 female
6	3	Backshell with thumb screws #4-40
7	30 cm	Multiconductor cable with shield
8	4x 150 cm	MIL-STD-1553 twinax cable with shield
9	3x 150 cm	DB-25 cable with shield