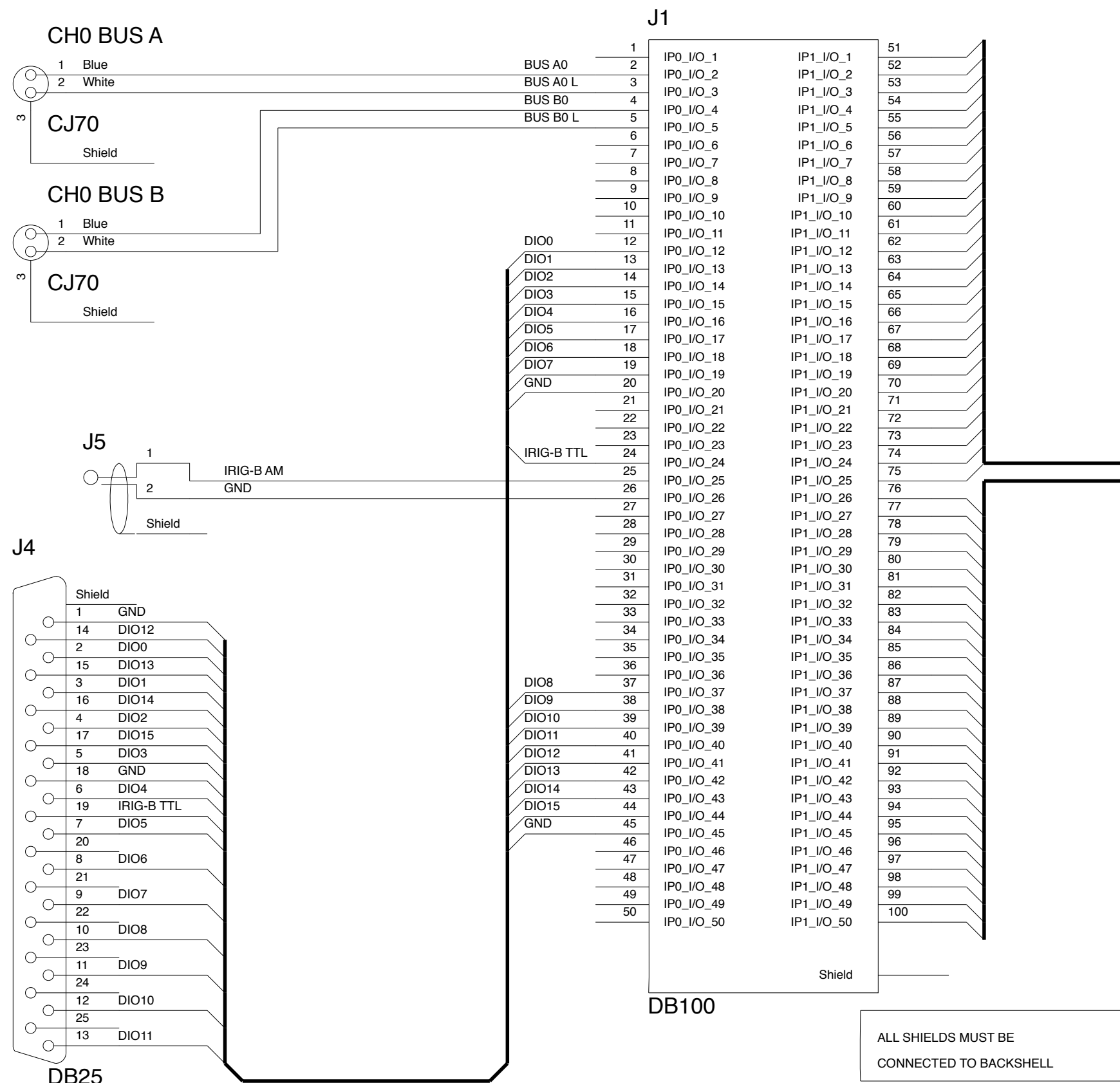
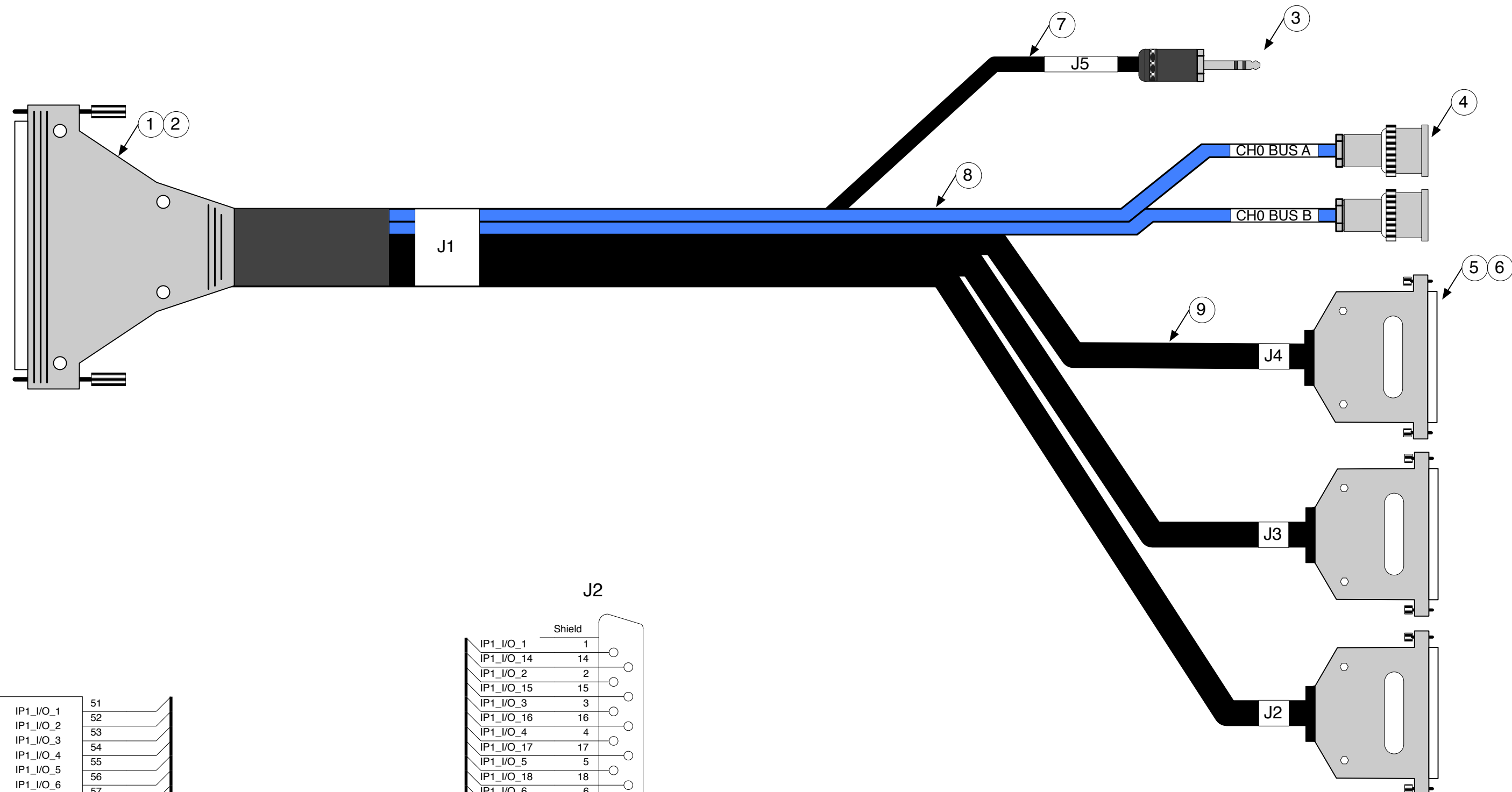


MAX-AC-40107

Single interface IPM-1553-MRT cable for PCI/cPCI-400 card including two 1.5m (60") cables with CJ70 tri-axial connector, one 30cm (12") TRS connector for IRIG-B AM and three 1.5m (60") cables with DB-25 female connector for IP#1(or #3) and I/O triggers.



Revision	Changes history
2.3	Twinax cable length is now 150 cm (60") instead of 30 cm (12")
2.2	Official release

REV 2.3

#	Qty	Description
1	1	Connector 100 pins 0.050 series
2	1	Backshell with thumb screws #2-56
3	1	3.5mm plug 3-pole, Gold plated contacts
4	2	MIL-STD-1553 cable plug
5	3	Connector D-SUB-25 female
6	3	Backshell with thumb screws #4-40
7	30 cm	Multiconductor cable with shield
8	2x 150 cm	MIL-STD-1553 twinax cable with shield
9	3x 150 cm	DB-25 cable with shield