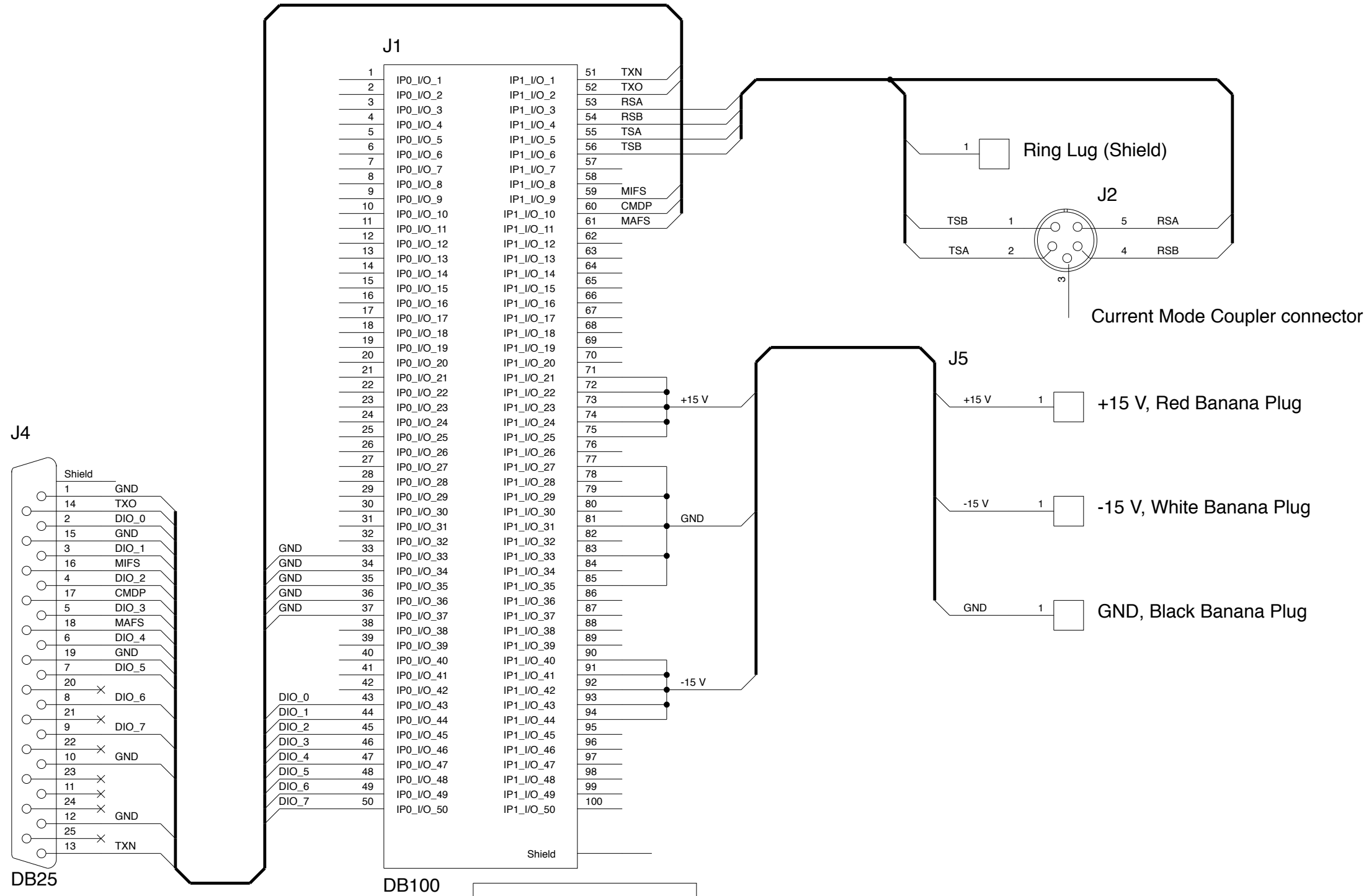
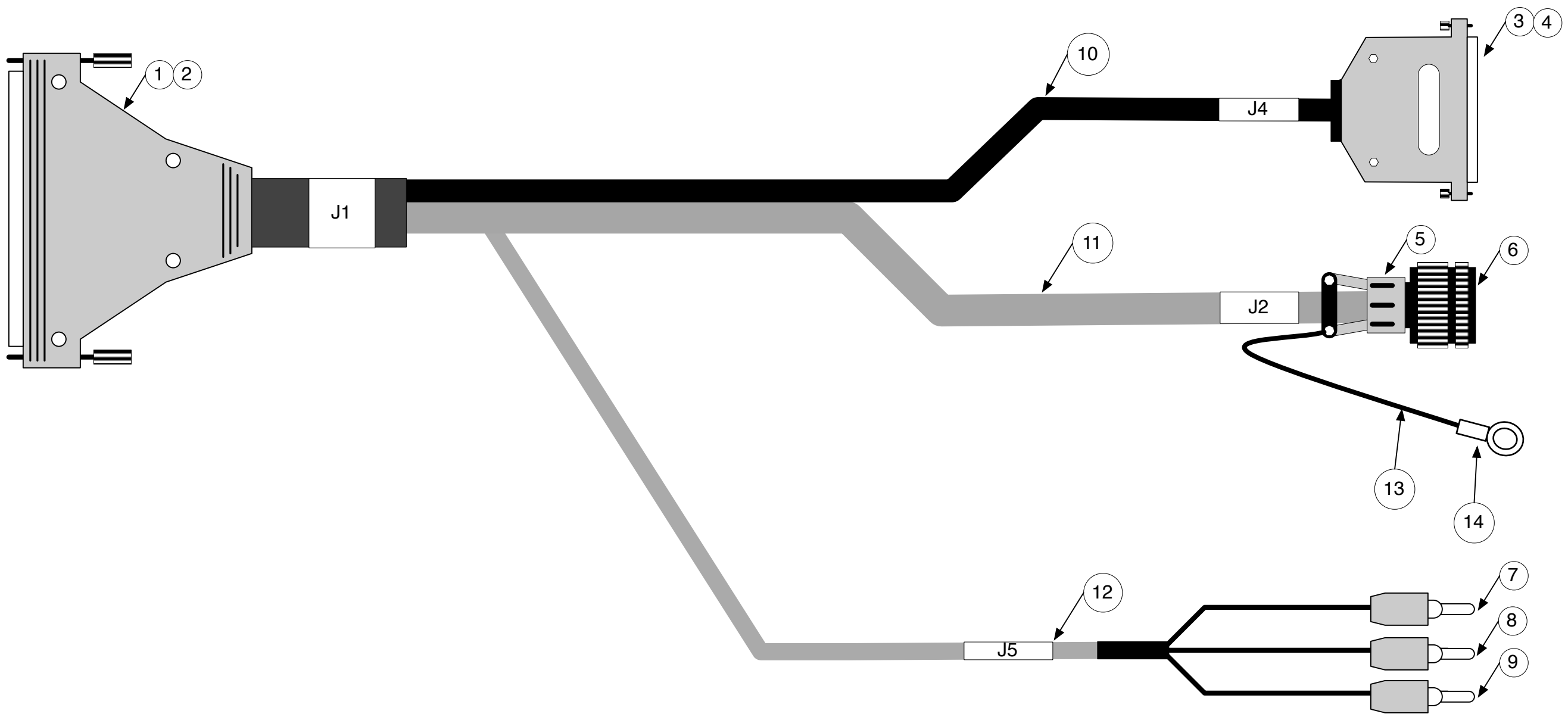


# MAX-AC-40101

IPM-629-BP1 interface for PCI-400 including 1.5m (60") twisted pair shielded interface cable with ARINC-629 CMC connector, 1.5m (60") cable with DB-25 female connector for I/O triggers and 1.5m (60") cable for external power input (+15V, -15V, GND).



REV 2.3

#	QTY	DESCRIPTION
1	1	Connector 100 pins 0.050 series
2	1	Backshell with thumb screws #2-56
3	1	Connector D-SUB-25 female
4	1	Backshell with thumb screws #4-40
5	1	Military cable support assembly (For CMC)
6	1	Military plug 5 conductors (For CMC)
7	1	Insulated banana plug white (-15V)
8	1	Insulated banana plug red (+15V)
9	1	Insulated banana plug black (GND)
10	150cm	DB-25 cable with shield
11	150cm	Multiconductor cable 100 Ohms with shield
12	150cm	Multiconductor cable 18 AWG
13	51cm	Green Stranded Wire 22 AWG
14	1	Terminal Ring Lug #10