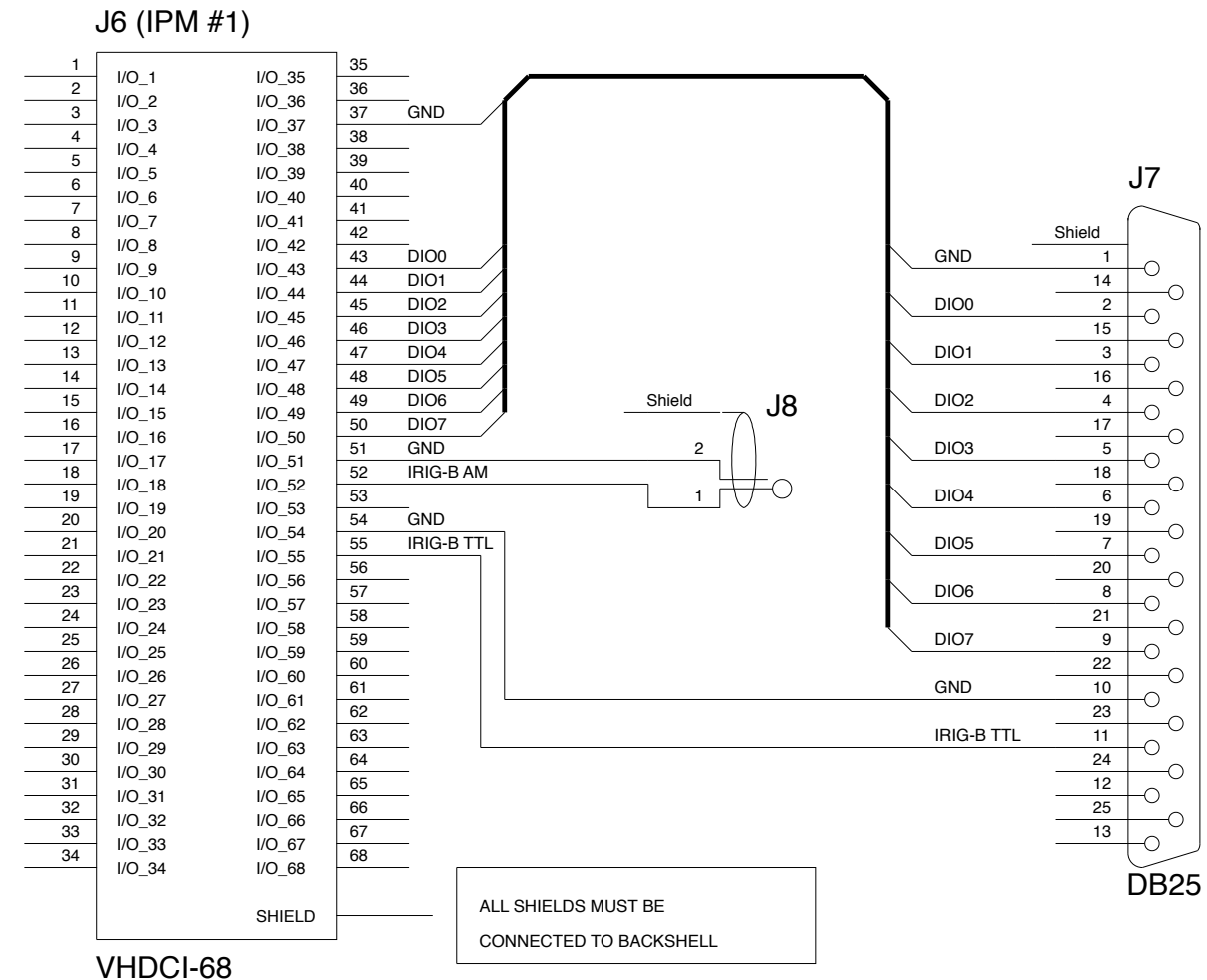
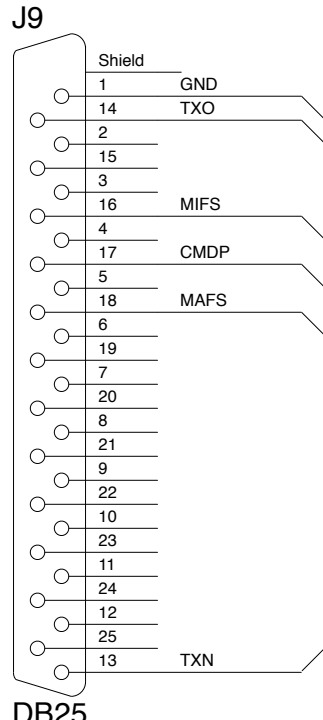
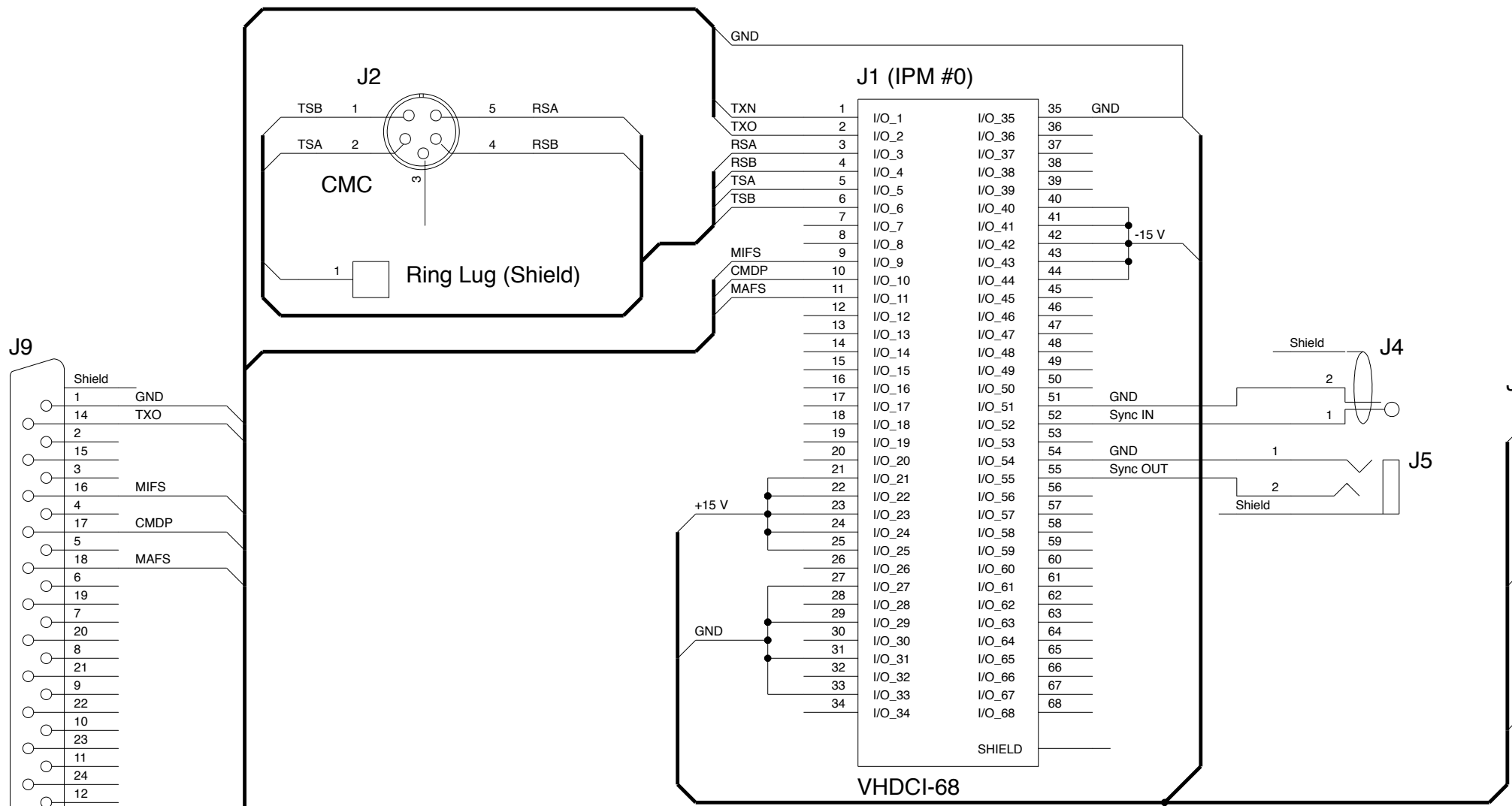
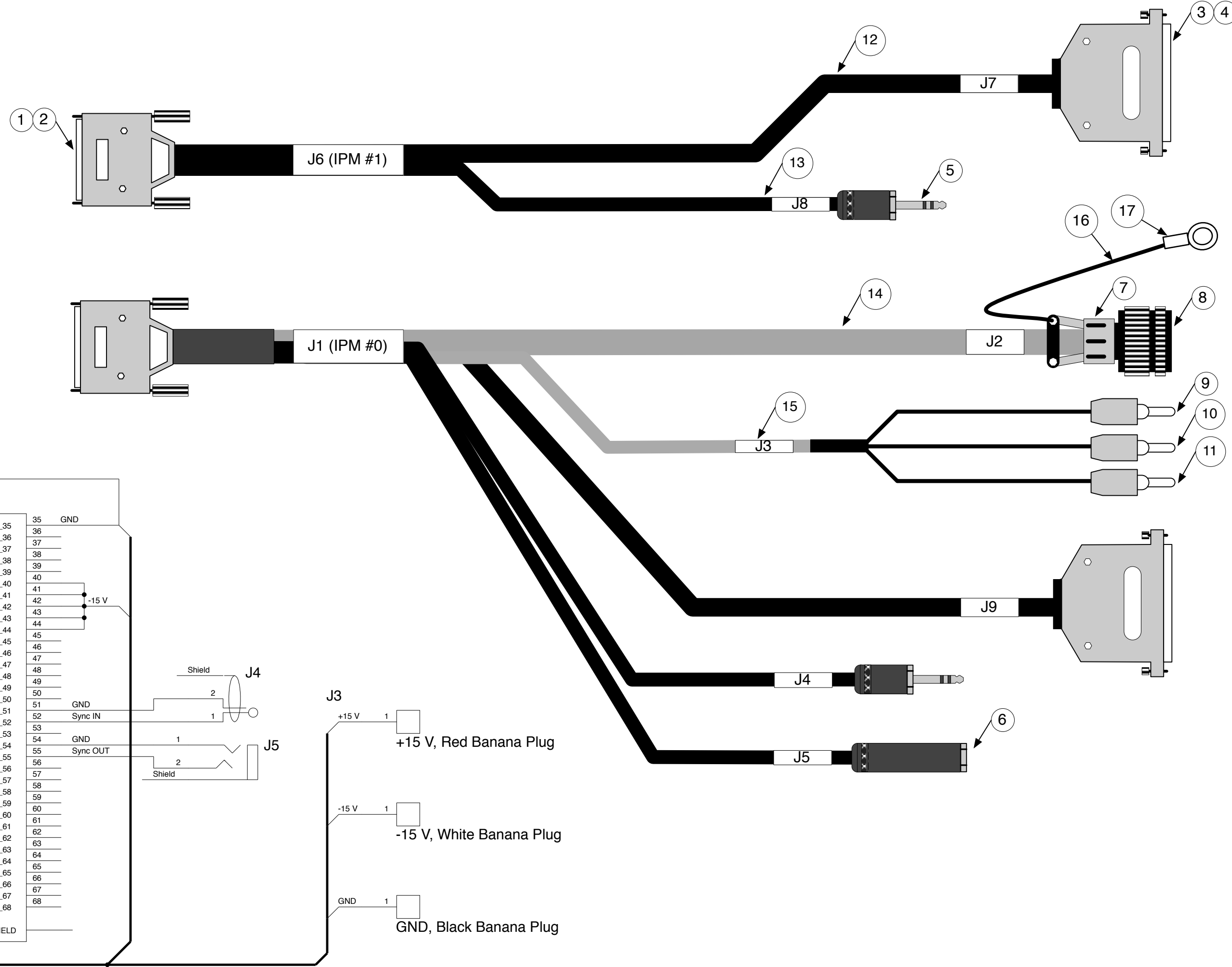


MAX-AC-40301

IPM-629-BP1 interface for PXI/PCI-400-2 including 1.5m (60") twisted pair shielded interface cable with ARINC-629 CMC connector, two 1.5m (60") cables with DB-25 female connector for I/O triggers, 1.5m (60") cable for external power input (+15V, -15V, GND) and three 30cm (12") TRS connectors for IRIG-B AM, SYNC IN and SYNC OUT.



REV 2.3

#	QTY	DESCRIPTION
1	2	Connector VHDCI 68 pins 0.8mm
2	2	VHDCI Cover
3	2	Connector D-SUB-25 Female
4	2	Backshell with Thumb Screws #4-40
5	2	3.5mm plug 3-pole, Gold plated contacts
6	1	3.5mm jack 3-pole, Gold plated contacts
7	1	Military cable support assembly
8	1	Military plug 5 conductors
9	1	Insulated banana plug white
10	1	Insulated banana plug red
11	1	Insulated banana plug black
12	2x150cm	DB-25 cable with shield
13	3x30cm	Multiconductor cable with shield
14	150cm	Cable for ARINC-629 protocol with shield
15	150cm	Multiconductor cable 18 AWG 300V with shield
16	51cm	Green Stranded Wire 22AWG
17	1	Terminal Ring Lug #10

ALL SHIELDS MUST BE CONNECTED TO BACKSHELL