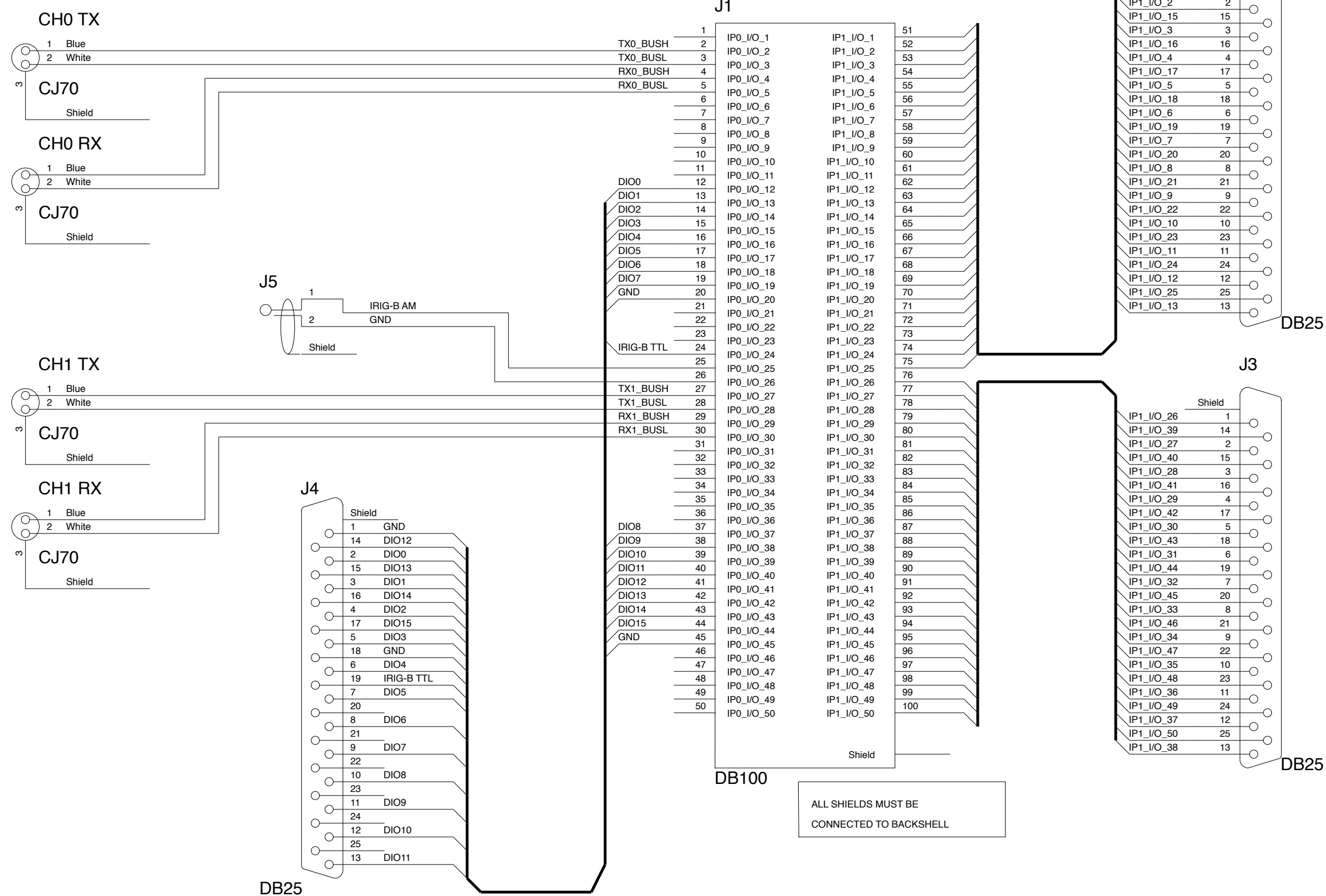
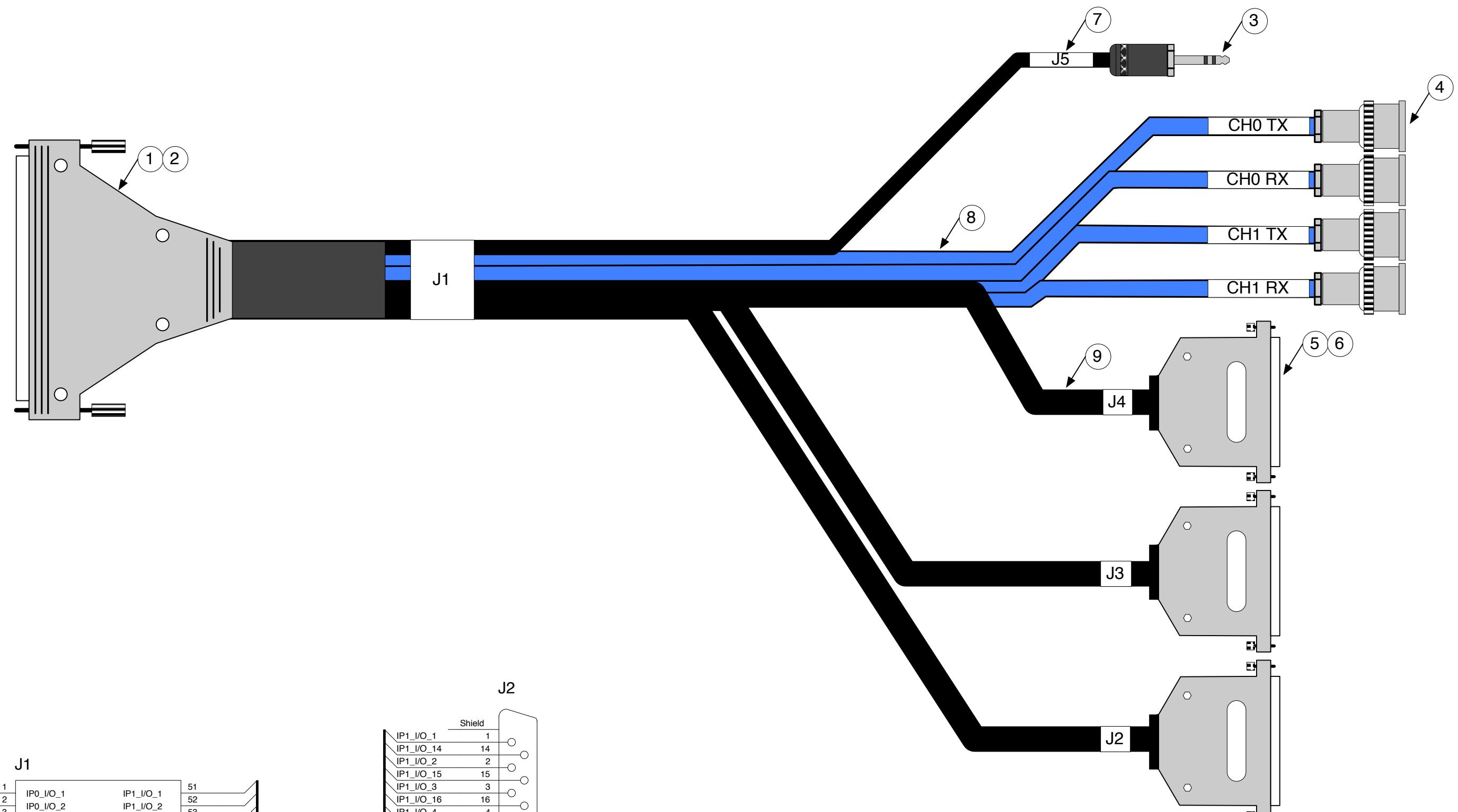


MAX-AC-40116

Dual interface IPM-708 cable for PCI/cPCI-400 card including four 5.8m (19') cables with CJ70 tri-axial connector, one 30cm (12") TRS connector for IRIG-B AM and three 1.5m (60") cables with DB-25 female connector for IP#1(#3) and I/O triggers.



REV 2.2

#	Qty	Description
1	1	Connector 100 pins 0.050 series
2	1	Backshell with thumb screws #2-56
3	1	3.5mm plug 3-pole, Gold plated contacts
4	4	MIL-STD-1553 cable plug
5	3	Connector D-SUB-25 female
6	3	Backshell with thumb screws #4-40
7	30 cm	Multiconductor cable with shield
8	4x 580 cm	MIL-STD-1553 twinax cable with shield
9	3x 150 cm	DB-25 cable with shield